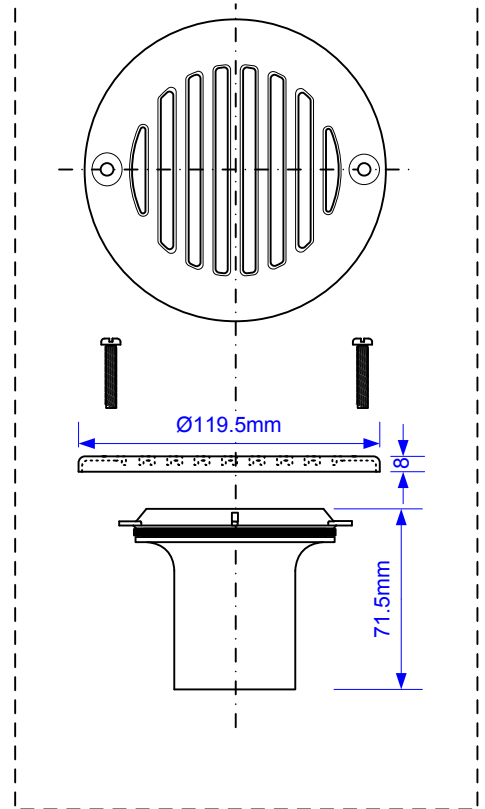


Code:

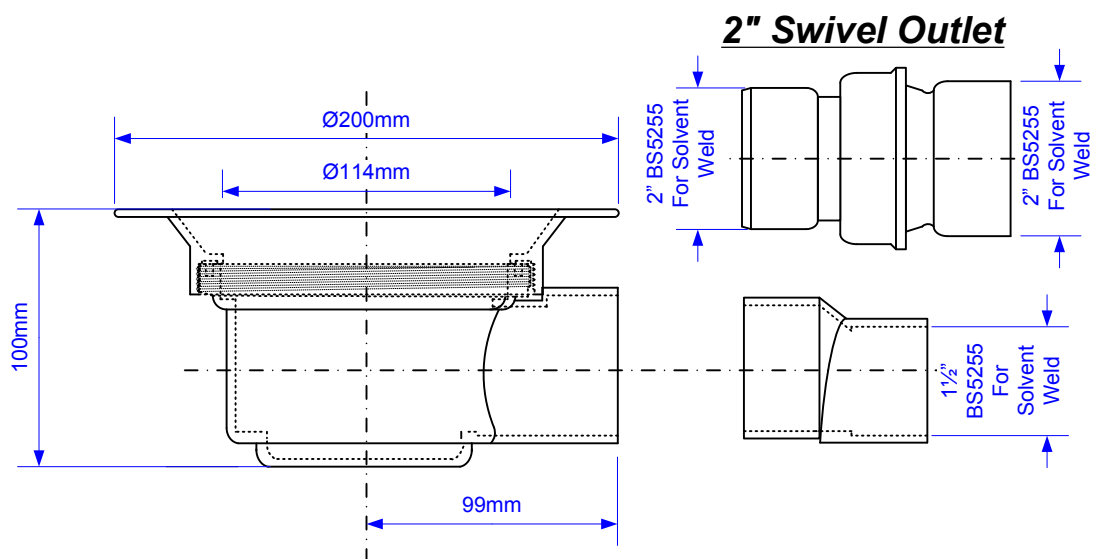
Two-piece 50mm Trapped Gully for use with Sheet Flooring.



Grid and Tube dimensions for
TSG52-ANTI/LIG



Each product uses this Two-Piece Trap Body



50mm Water Seal

Drawing verified correct as of:

28/08/2017
RM

DRAWN BY

RM

REVISED

SCALE

1:3

FILENAME
2-PIECE 50MM SHEET FLOORING TRAPS.VSD

DATE

28/08/2017