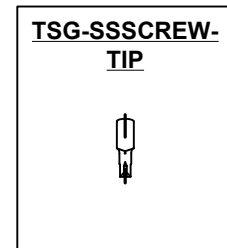
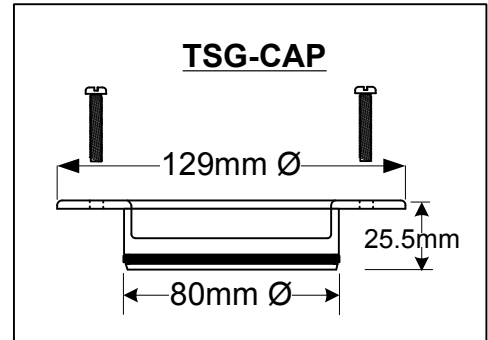
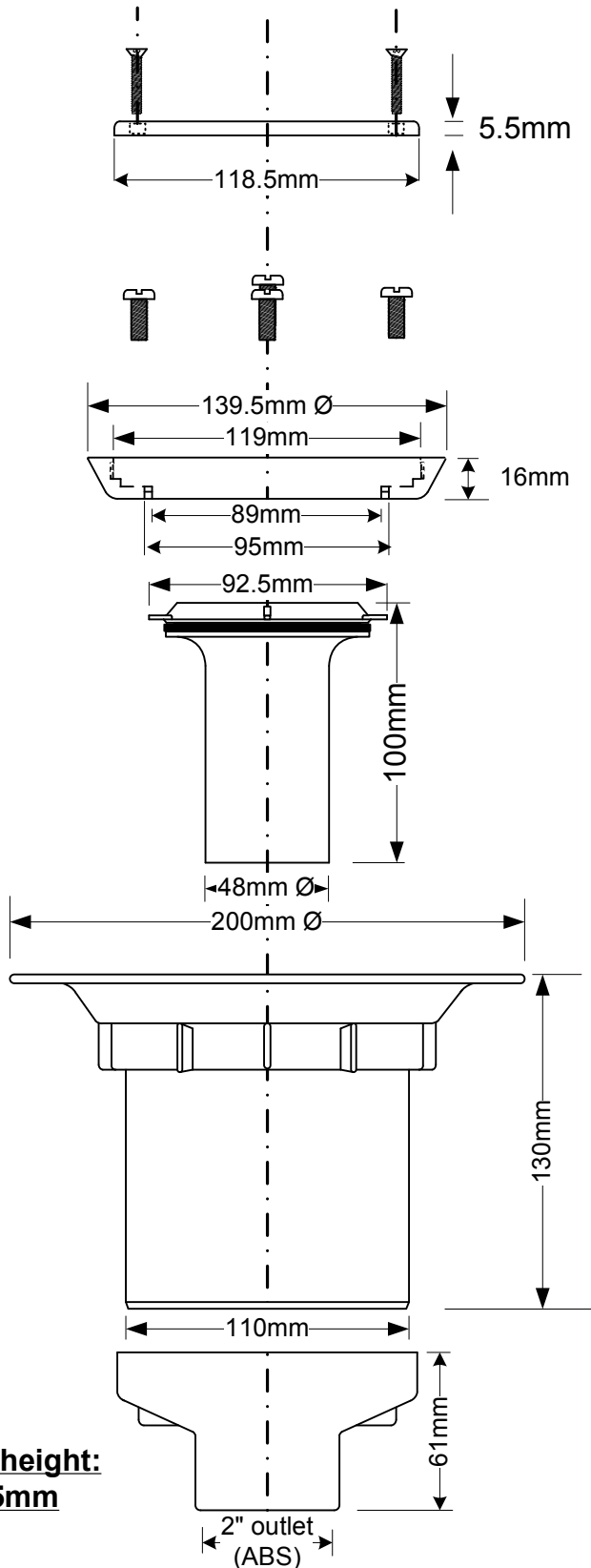


Code:

# TSG2-ANTI/LIG



**Seal height:**  
**75mm**

© McALPINE  
15/03/12

Drawing verified  
correct as of:

D.E  
15.03.12

DRAWN BY  
MICHELLE GALLAGHER

REVISED  
15.03.12

FILENAME  
TSG2-ANTI~LIG.VSD

SCALE  
1: 2.8

DATE  
15.03.12