

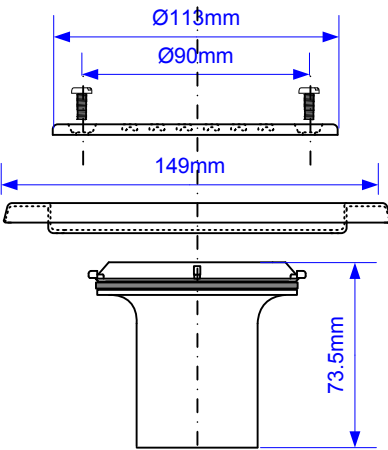
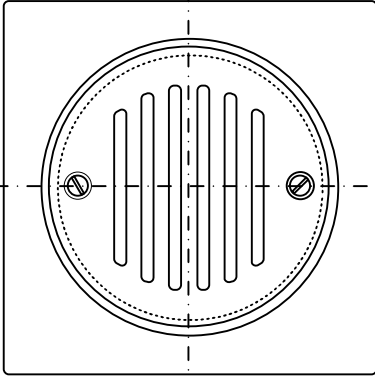
Code:

Two-Piece 50mm Trapped Gully for use with Tiled or Stone Flooring.

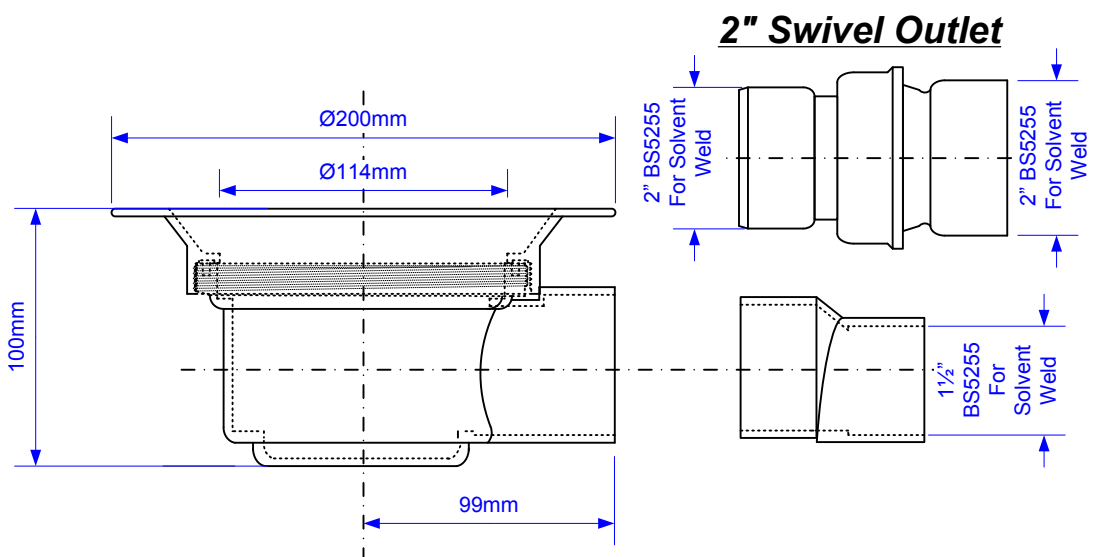
MALPINE
Plumbing Products

Grid and Tube dimensions for

TSG52-T150SS (no screws)



Each product uses this Two-Piece Trap Body



50mm Water Seal

Drawing verified correct as of:

28/08/2017
RM

DRAWN BY

RM

REVISED

SCALE

1: 3

FILENAME
2-PIECE 50MM TILED FLOORING TRAPS.VSD

DATE

28/08/2017