

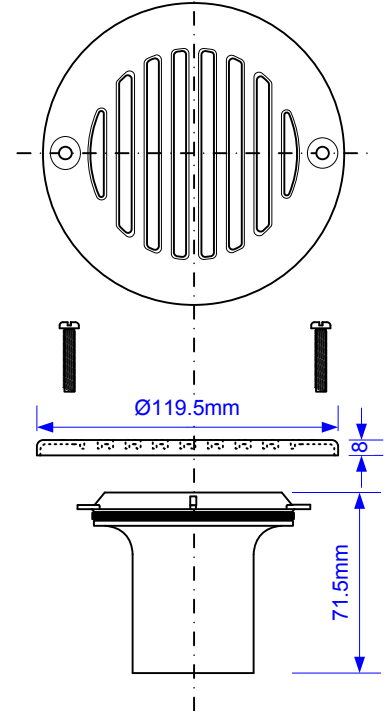
Code:

Two-piece 50mm Trapped Gully for use with Sheet Flooring.

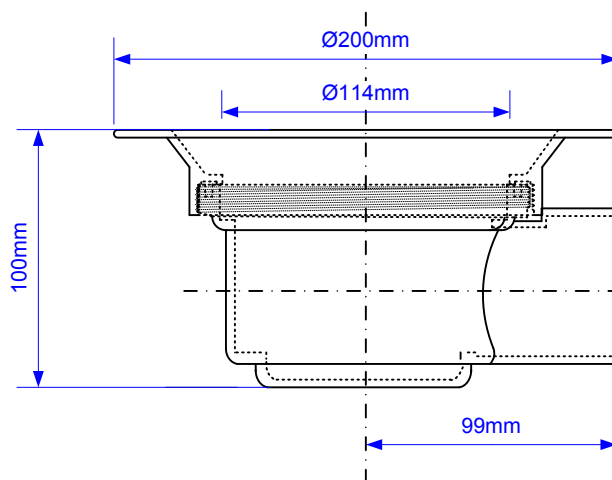
MALPINE
Plumbing Products

Grid and Tube dimensions for

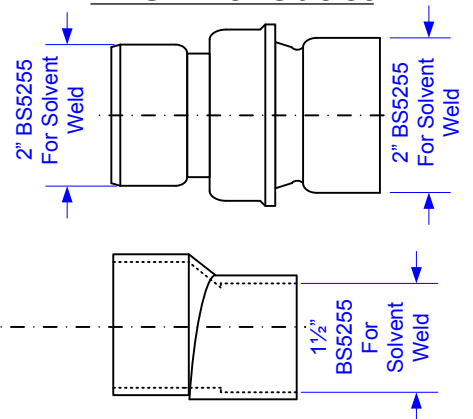
TSG52SS-SL-NSC (no screws)



Each product uses this Two-Piece Trap Body



2" Swivel Outlet



50mm Water Seal

Drawing verified correct as of:

28/08/2017
RM

DRAWN BY

RM

REVISED

SCALE

1: 3

FILENAME
2-PIECE 50MM SHEET FLOORING
TRAPS.VSD

DATE

28/08/2017