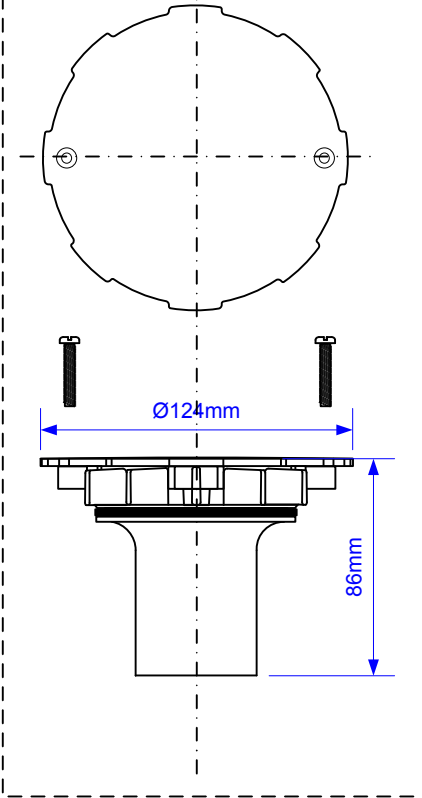


Code:

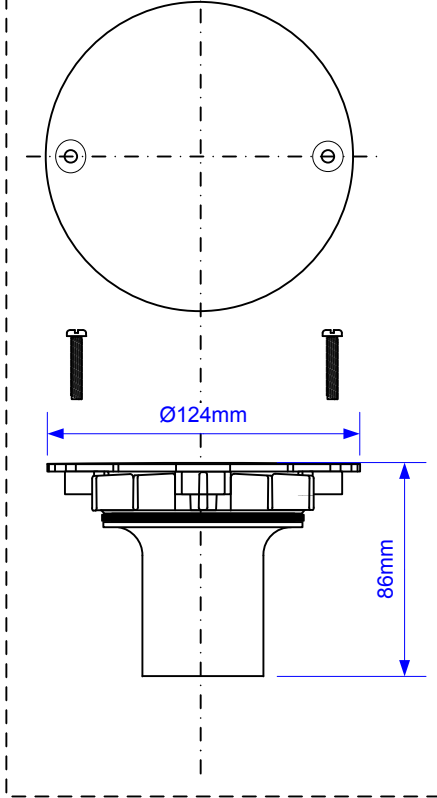
Two-piece 50mm Trapped Gully for use with Sheet Flooring.

MALPINE
Plumbing Products

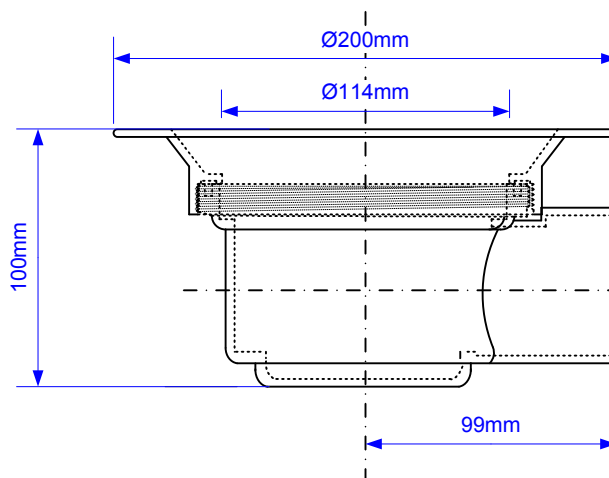
Grid and Tube dimensions for
TSG52WH (with screws)



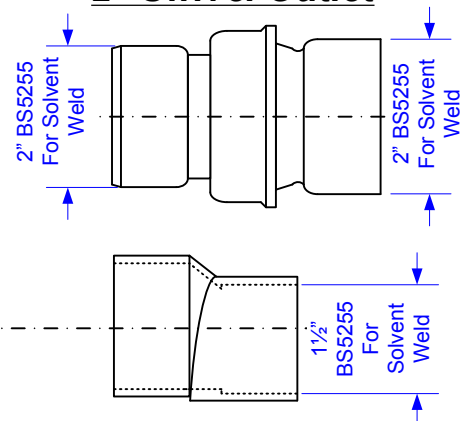
Grid and Tube dimensions for
TSG52SS



Each product uses this Two-Piece Trap Body



2" Swivel Outlet



50mm Water Seal

Drawing verified correct as of:

28/08/2017
RM

DRAWN BY

RM

REVISED

SCALE

1: 3

FILENAME
2-PIECE 50MM SHEET FLOORING TRAPS.VSD

DATE

28/08/2017