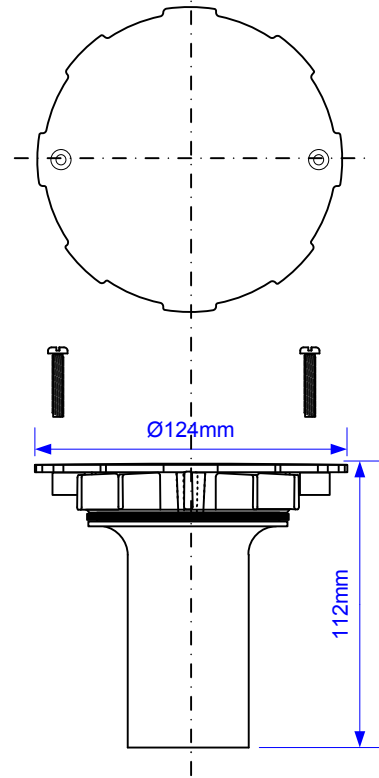


Code:

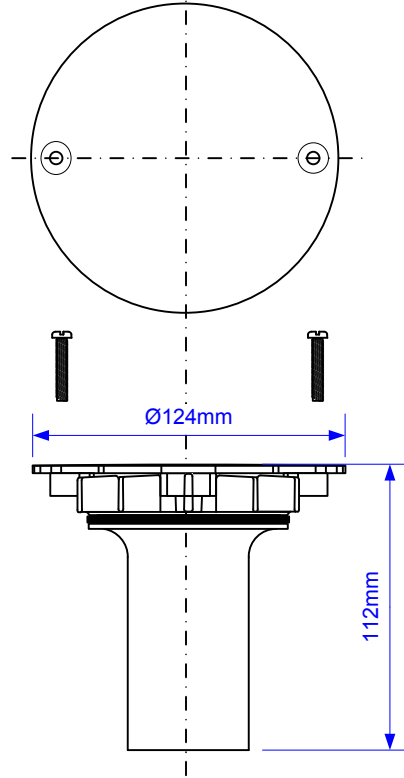
75mm Vertical Trapped Gully for use with Sheet Flooring.



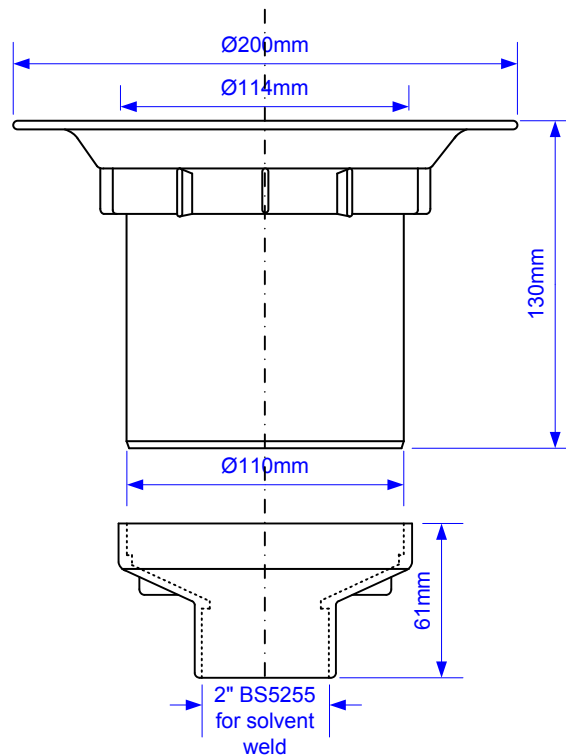
Grid and Tube dimensions for **TSG2WH** (with screws)



Grid and Tube dimensions for **TSG2SS**



Each product uses this Trap Body



75mm Water Seal

Drawing verified correct as of:

28/08/2017
RM

DRAWN BY

RM

REVISED

SCALE

1: 3

FILENAME
75MM VERTICAL SHEET FLOORING
TRAPS.VSD

DATE

28/08/2017